

# BUILT-IN CUTOUT DIMENSIONS

## “ISLAND” STRUCTURE CONFIGURATION OPTIONS

There are many available options for positioning the major components of your “island” structure. The major components are:

- 1) The Built-In Grill
- 2) Gas supply enclosure
- 3) Optional side burner accessory

The three common options (A, B, C) are illustrated in the “Island’ Structure Configuration Options” table.

**Note: Gas line limitation**

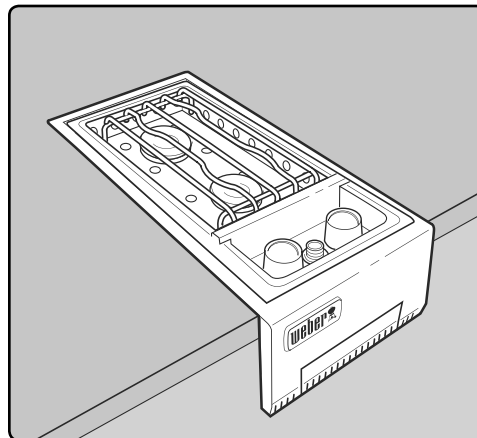
The gas supply hose from grill manifold to gas supply bulkhead must not exceed 58" (147 cm). The 3/8" (9.52 mm) side burner accessory hose (not included) must not exceed 58" (147 cm). ♦

### “ISLAND” STRUCTURE CONFIGURATION OPTIONS

1	Summit® Built-In Grill
2	Gas supply
3	Optional side burner accessory

**NOTE: IF YOU HAVE PURCHASED A SIDE BURNER**

If you have purchased a side burner accessory with your Summit® Gas Grill, Weber® recommends that you read the SUMMIT® BUILT-IN SIDE BURNER INSTALLATION/ OWNER’S GUIDE before designing your “island” structure. ♦



# BUILT-IN CUTOUT DIMENSIONS

## GENERAL CONSTRUCTION DETAILS

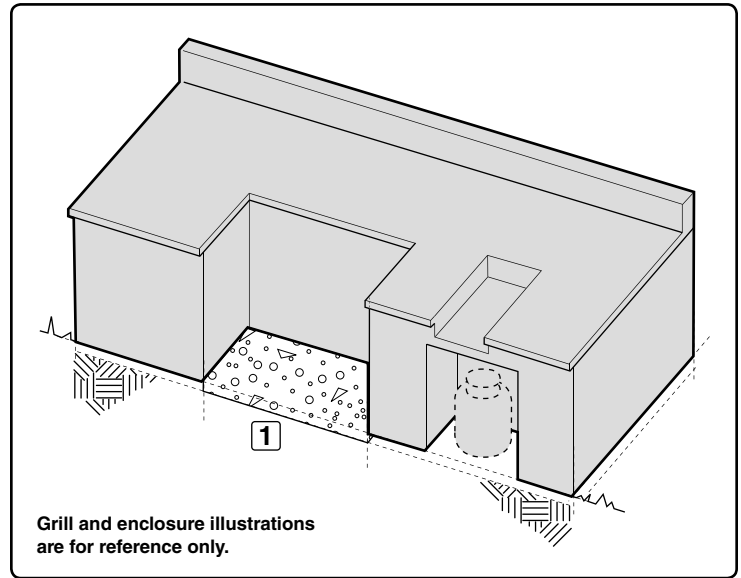
Summit® Built-In Unit and all other accessory units should be on site before construction begins.

For ease of installation, the grill will be pushed on its casters into the built-in structure.

The installation of this grill requires a level floor pad surface (1) and countertop surface. The floor pad surface must be constructed from solid materials and must be level and smooth. Proper subgrade materials must be used under the floor pad to prevent materials from settling and heaving.

### Rotisserie Outlet

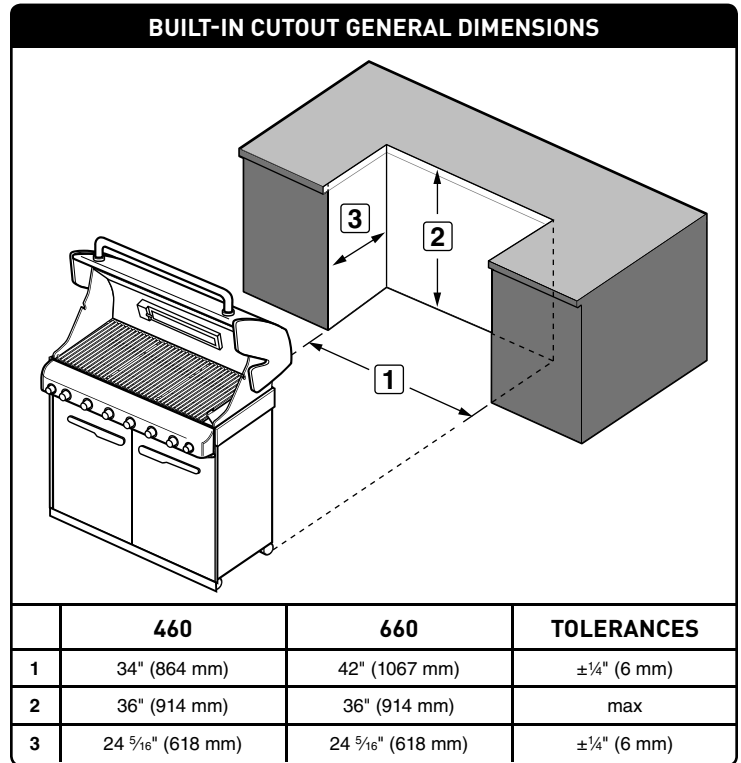
If the supporting structure is going to have an electrical outlet for a rotisserie, it should be on the left side of the structure. ♦



## BUILT-IN CUTOUT GENERAL DIMENSIONS

All dimensions are to finished surfaces.

**⚠ WARNING: All countertop finished surfaces must be constructed of a noncombustible material. ♦**



# BUILT-IN CUTOUT DIMENSIONS

## POSITIONING YOUR GRILL

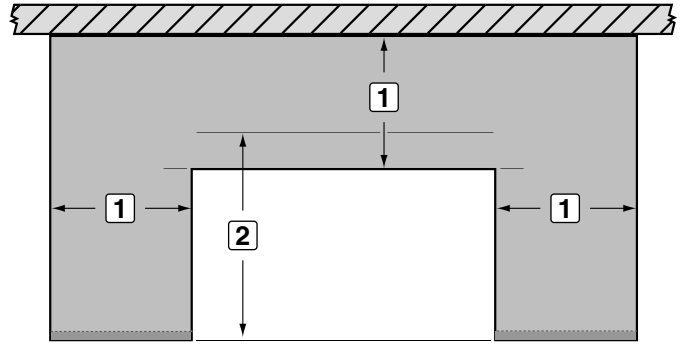
When determining a suitable location for your Summit® Gas Grill installation, give thought to concerns such as exposure to wind, proximity to traffic paths, and keeping any gas supply lines as short as possible. Never locate the Summit® Gas Grill in a garage, breezeway, or shed, under an unprotected overhang, or in any other enclosed area. Position the grill and structure so there is enough room to safely evacuate the area in case of a fire.

## CLEARANCE FROM SURFACES OR STRUCTURES

**⚠ WARNING: The structure, "island," countertops, and adjacent work areas for the Built-in Grill installation must be built from noncombustible materials only.**

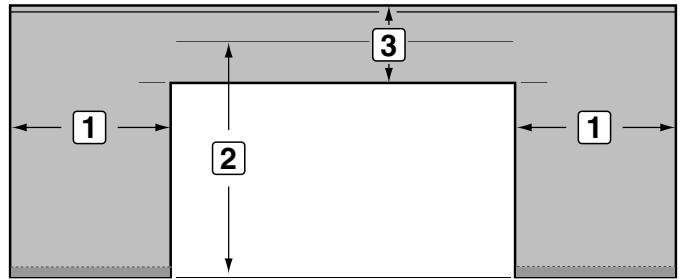
*NOTE: If you have questions on which materials are considered noncombustible, contact your local building materials supplier or fire department. ♦*

### CLEARANCES - INSTALLATION ADJACENT TO A STRUCTURE



1	24" (610 mm) any surface
2	27" (686 mm) minimum for lid clearance

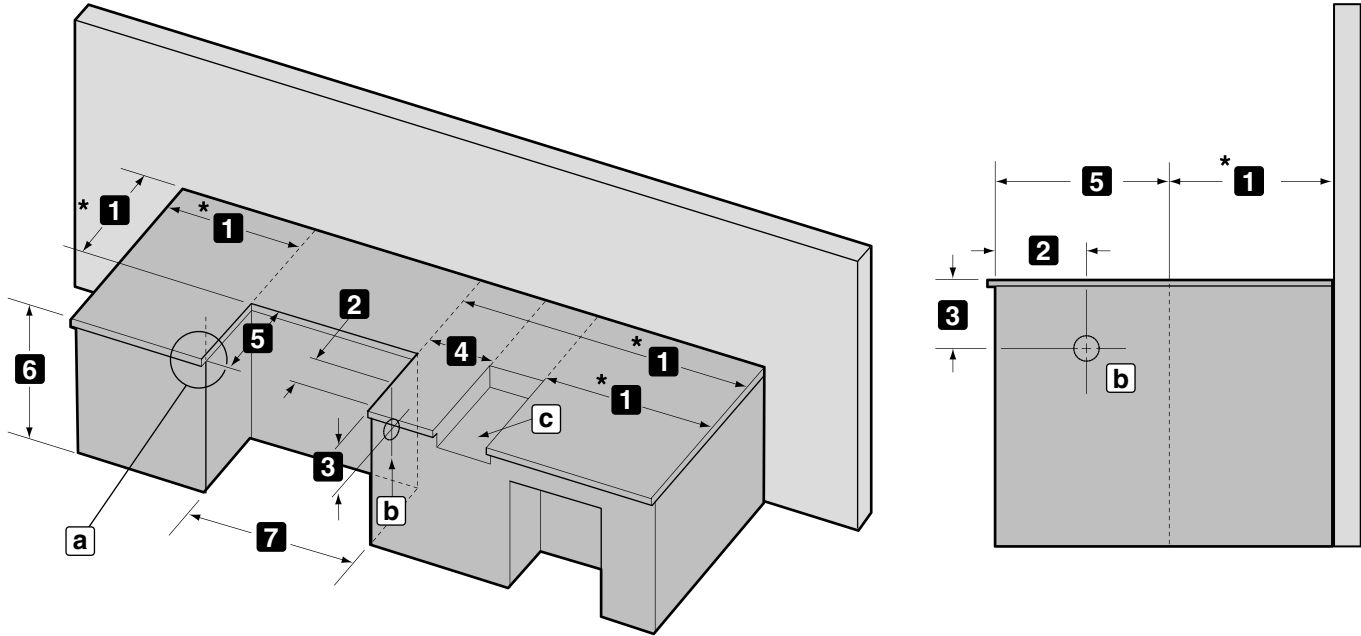
### CLEARANCES - "ISLAND" INSTALLATION



1	24" (610 mm) any surface
2	27" (686 mm) minimum for lid clearance
3	10 1/2" (267 mm) minimum

# BUILT-IN CUTOUT DIMENSIONS

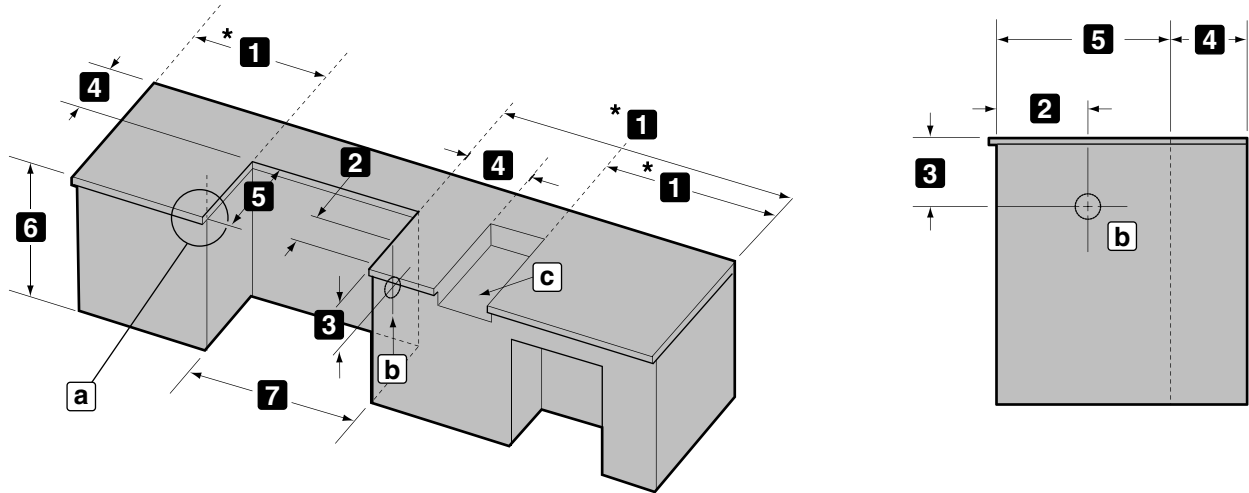
## BUILT-IN CUTOUT DETAILED DIMENSIONS - INSTALLATION ADJACENT TO A STRUCTURE



		460	660
<b>DIMENSIONS</b>	<b>*1</b>	24" minimum* (610 mm)	24" minimum* (610 mm)
	<b>2</b>	16 1/2" (419 mm)	16 1/2" (419 mm)
	<b>3</b>	11 1/8" (283 mm)	11 1/8" (283 mm)
	<b>4</b>	10 1/2" (267 mm) minimum	10 1/2" (267 mm) minimum
	<b>5</b>	24 5/16" (618 mm)	24 5/16" (618 mm)
	<b>6</b>	36" (914 mm) maximum	36" (914 mm) maximum
	<b>7</b>	34" (864 mm) built-in frame	42" (1067 mm) built-in frame
<b>a</b>	For a countertop treatment: recommended 3/4" (19 mm) overhang		
<b>b</b>	Gas inlet		
<b>c</b>	Side burner opening		
*Clearance from any surface or structure is at least 24" (610 mm) from the back and sides of the grill or side burner.			

# BUILT-IN CUTOUT DIMENSIONS

## BUILT-IN CUTOUT DETAILED DIMENSIONS - "ISLAND" INSTALLATION



		460	660
<b>DIMENSIONS</b>	<b>*1</b>	24" minimum* (610 mm)	24" minimum* (610 mm)
	<b>2</b>	16 1/2" (419 mm)	16 1/2" (419 mm)
	<b>3</b>	11 1/8" (283 mm)	11 1/8" (283 mm)
	<b>4</b>	10 1/2" (267 mm) minimum	10 1/2" (267 mm) minimum
	<b>5</b>	24 5/16" (618 mm)	24 5/16" (618 mm)
	<b>6</b>	36" (914 mm) maximum	36" (914 mm) maximum
	<b>7</b>	34" (864 mm) built-in frame	42" (1067 mm) built-in frame
<b>a</b>	For a countertop treatment: recommended 3/4" (19 mm) overhang		
<b>b</b>	Gas inlet		
<b>c</b>	Side burner opening		
*Clearance from any surface or structure is at least 24" (610 mm) from the back and sides of the grill or side burner.			